



- Cw/w 25PF TYP @ 100KHz, 0.2V
- Polarity: 1-8, 5-12, In-Phase
- LL: 0.5μH Max @ 100KHz, 0.2V
- DCR: 1.1Ω Max
- Operating Temp: 0°C to 70°C

Electrical Specifications @ 25°C

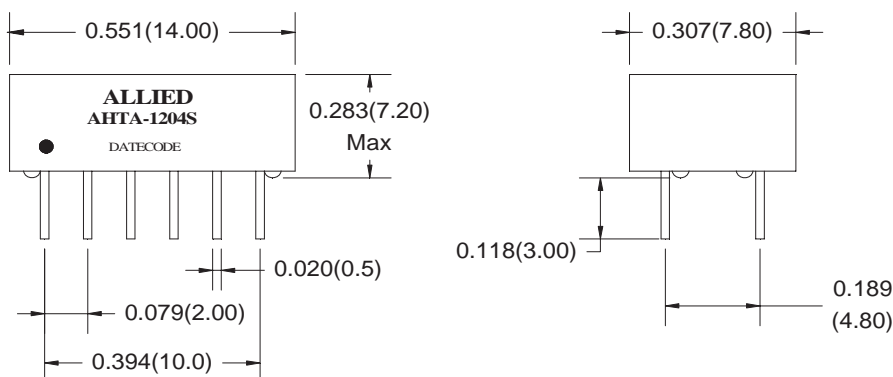
Part Number	OCL(μH Min) @ 100kHz, 200mV	Turns Ratio chip: cable (±5%)	Insertion Loss (dB Max)	Return Loss (dB Min)			
	With 8mA DC Bias			0.3-30MHz	40MHz	50MHz	60-80MHz
AHTA-1204S	350	1CT:1CT(TX)/1CT:1CT(RX)	-1.1	-18	-16	-14.5	-12

Electrical Specifications @ 25°C

Part Number	Common Mode Rejection (dB Min)			Cross Talk (dB Min)		Isolation HI-POT (Vrms)
	0.3-30MHz	60MHz	80-100MHz	0.3-30MHz	60-100MHz	
AHTA-1204S	-40	-35	-30	-42	-35	1500

All specifications subject to change without notice.

MECHANICAL



Dimensions:inch(mm)
Unless otherwise specified, all tolerances are ±0.010(0.25)

SCHEMATICS

